

TECHNICAL NOTE



Project Title: Maidstone Option Testing		Sheet No: 1	
Subject: Base & 2026 Option 1 (Do Minimum) Turning Movements		Calc No:	
Job No: B1786600		File:	
Made By: S.Kaler	Date: 13/06/12	Revised By: n/a	Date:
Checked By: B.Sey	Date: 13/06/12	Checked By: n/a	Date:

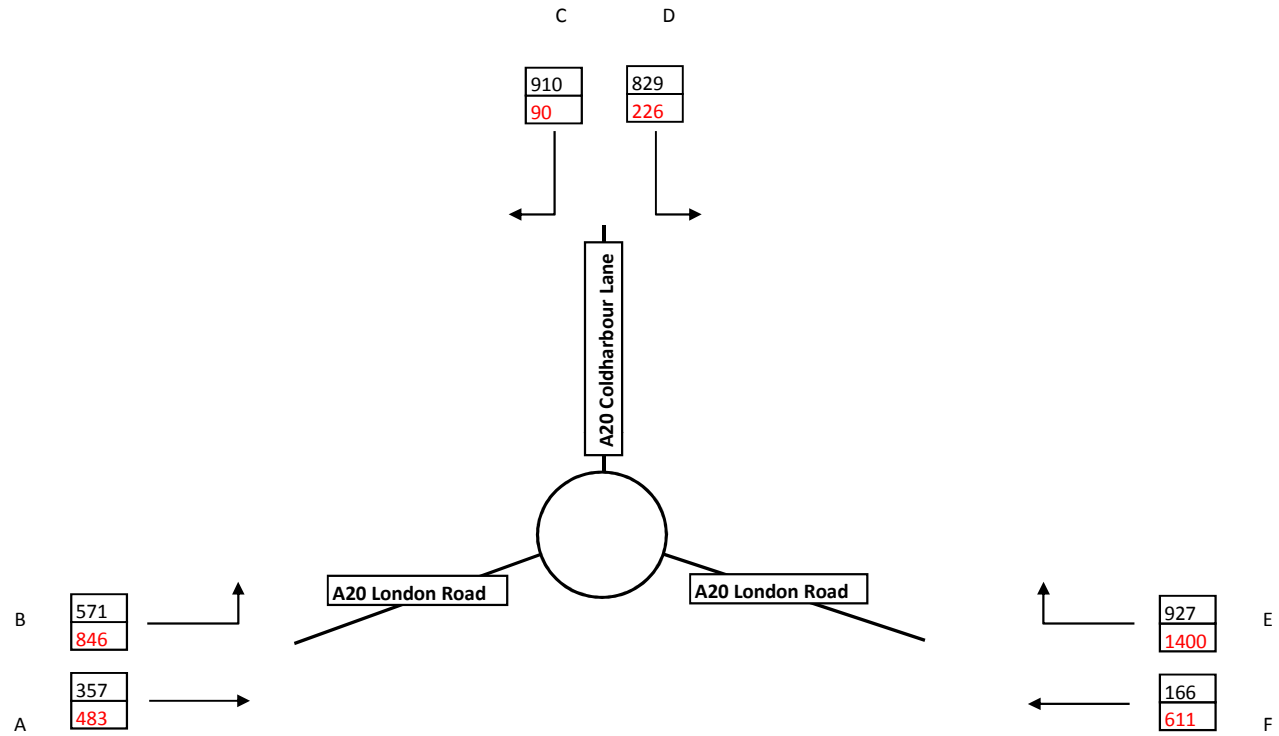
Turning movements for the junctions listed below have been extracted from the Base and 2026 Option 1 (Do Minimum) models.

- Coldharbour Roundabout
- Hermitage Lane / London Road
- Queens Road / Fant Lane / Tonbridge Road
- Fountain Road / Farleigh Road / Tonbridge Road
- North Street / Tonbridge Road
- Willington Street / Sutton Road

Flow diagrams are provided and where applicable notes are included.

Coldharbour Roundabout - AM

571	Base
846	2026 Forecast



Notes

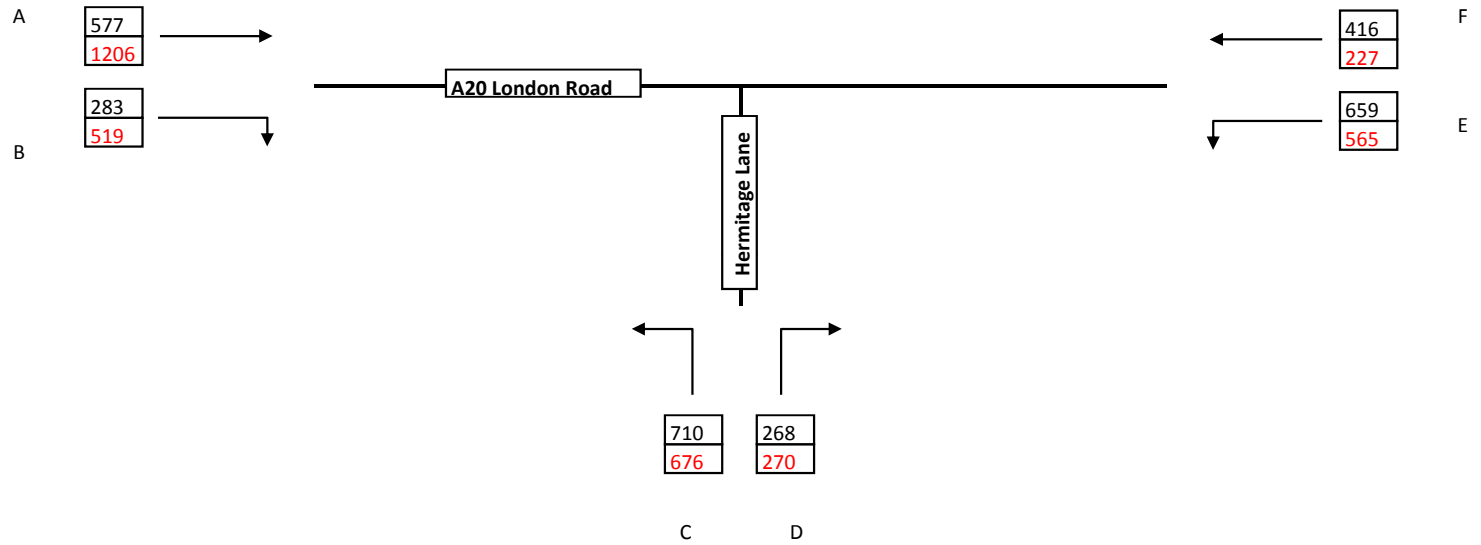
A - 2026 DoMin - More traffic using A20 London Road to access to the Motorway as a result of the Hermitage Lane Development

C - 2026 DoMin - Traffic signals at J5 affects inbound flow.

E, F - 2026 DoMin - More traffic using A20 London Road to access Motorway and Hermitage Lane Development

Hermitage Lane / London Road - AM

571	Base
846	2026 Forecast



Notes

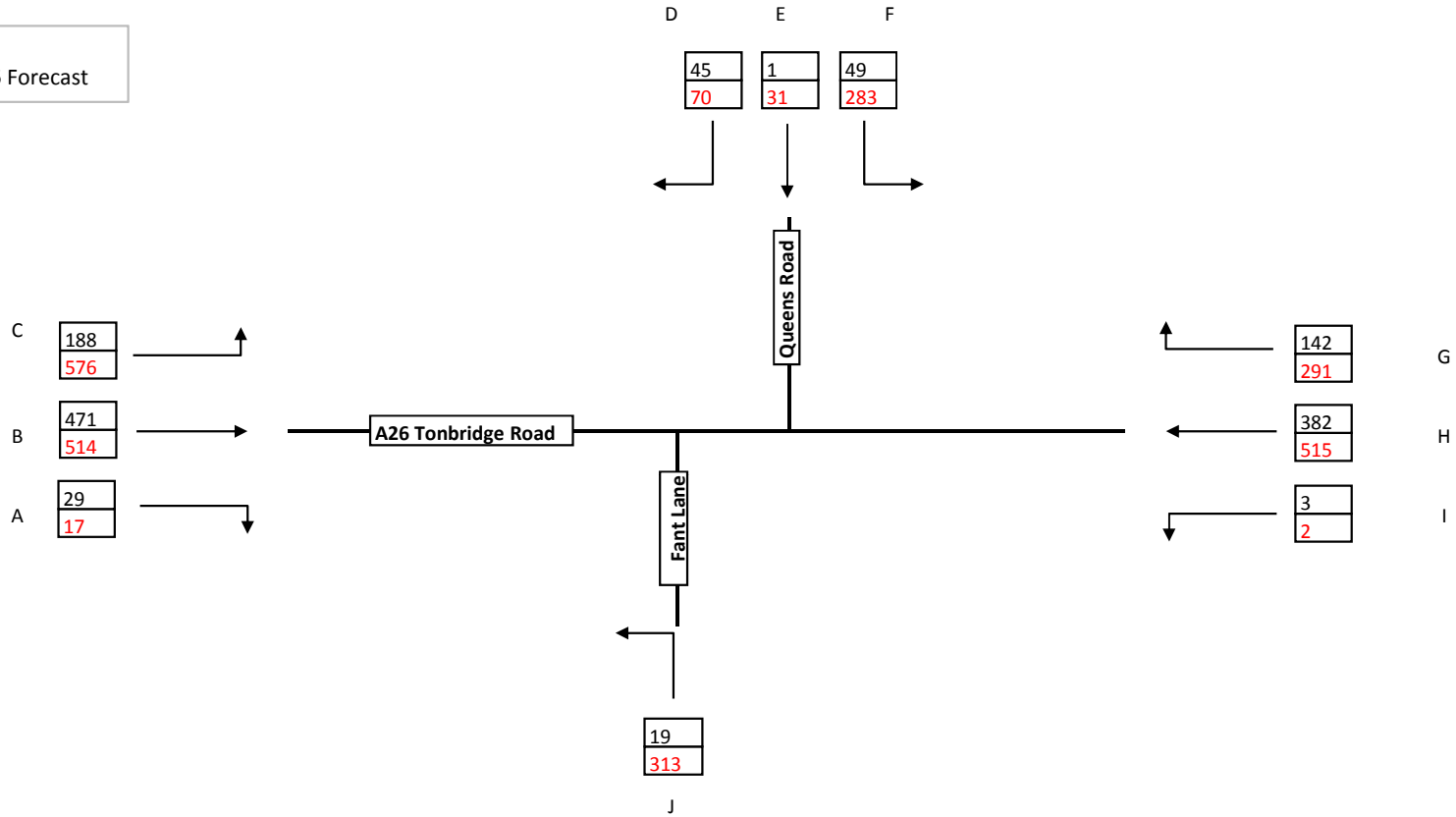
A - 2026 DoMin - More traffic using A20 London Road as a result of increase in congestion on Motorway in 2026.

B - 2026 DoMin - More traffic turning into Hermitage Lane due to development.

F - 2026 DoMin - Reduced traffic as a result of the signalised M20 J5.

Queens Road / Fant Lane / Tonbridge Road - AM

571	Base
846	2026 Forecast



Notes

C - 2026 DoMin - More traffic turning into Queens Road because of Hermitage Lane Developments.

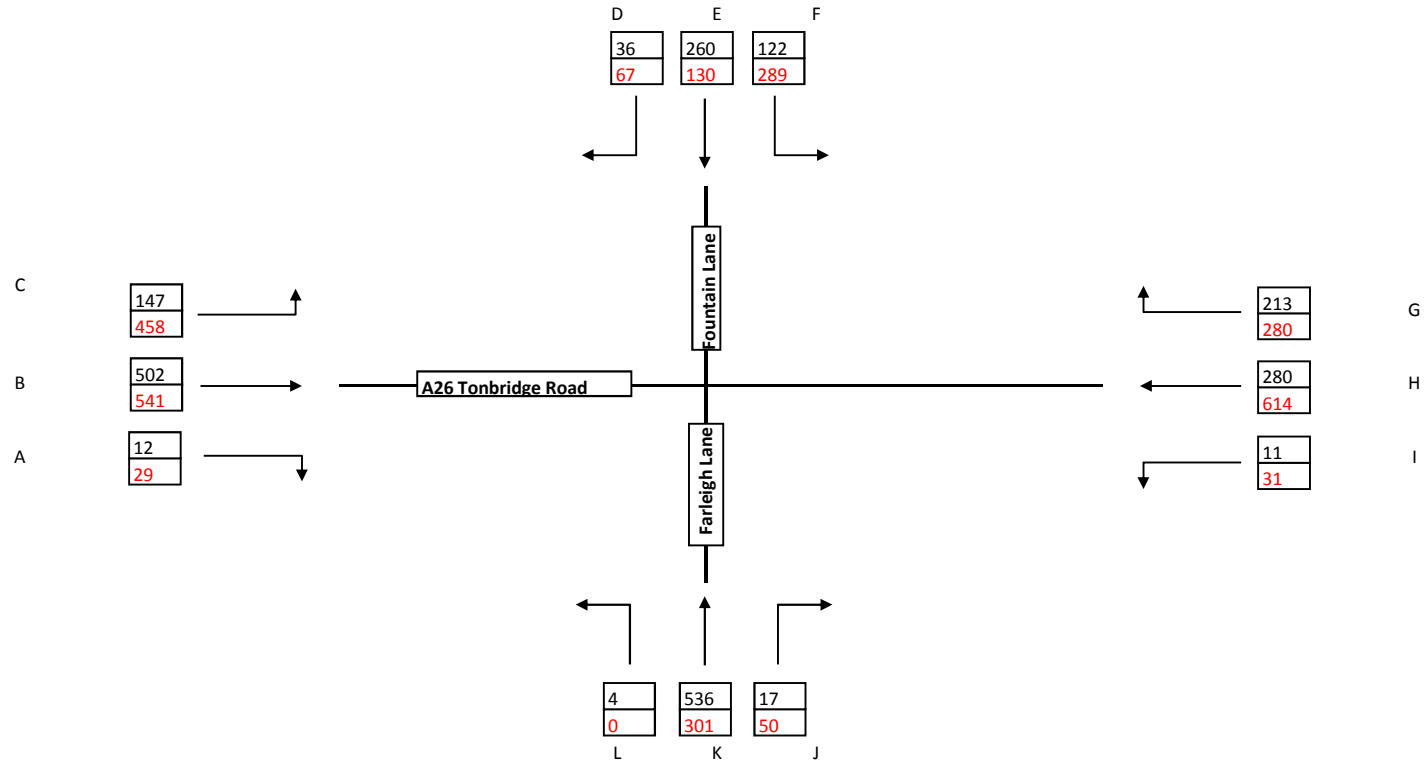
F - 2026 DoMin - Some traffic re-routing as a result of the congestion at the signalised junctions along A20 London Road.

G - 2026 DoMin - Some traffic re-routing as a result of the congestion at the signalised junctions along A20 London Road.

J - 2026 DoMin - More traffic using this movement to avoid queuing at the signalised Junction at Farleigh Lane.

Fountain Road / Farleigh Lane / Tonbridge Road - AM

571	Base
846	2026 Forecast



Notes

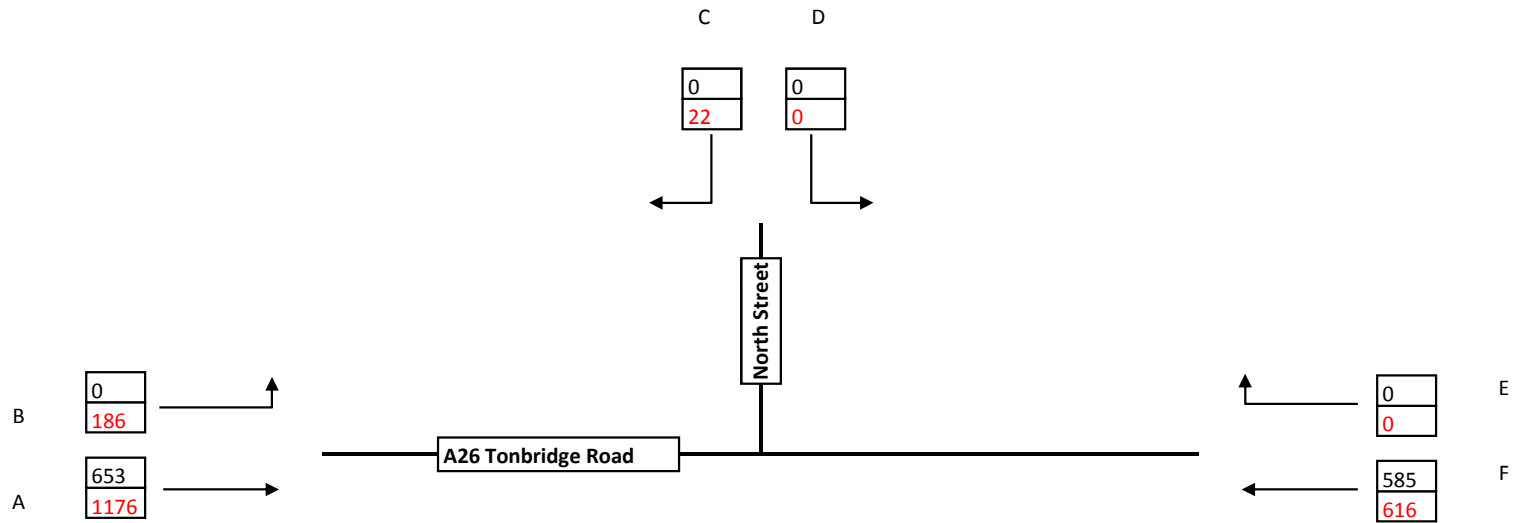
C - 2026 DoMin - More traffic turning into Fountain Lane due to Hermitage Lane developments.

D, E, F - 2026 DoMin - Traffic increase is related to traffic from Hermitage Lane developments.

H - 2026 DoMin - Some traffic using A26 Tonbridge as a result of the congestion at the M20 junctions.

North Street / Tonbridge Road - AM

571	Base
846	2026 Forecast



Notes

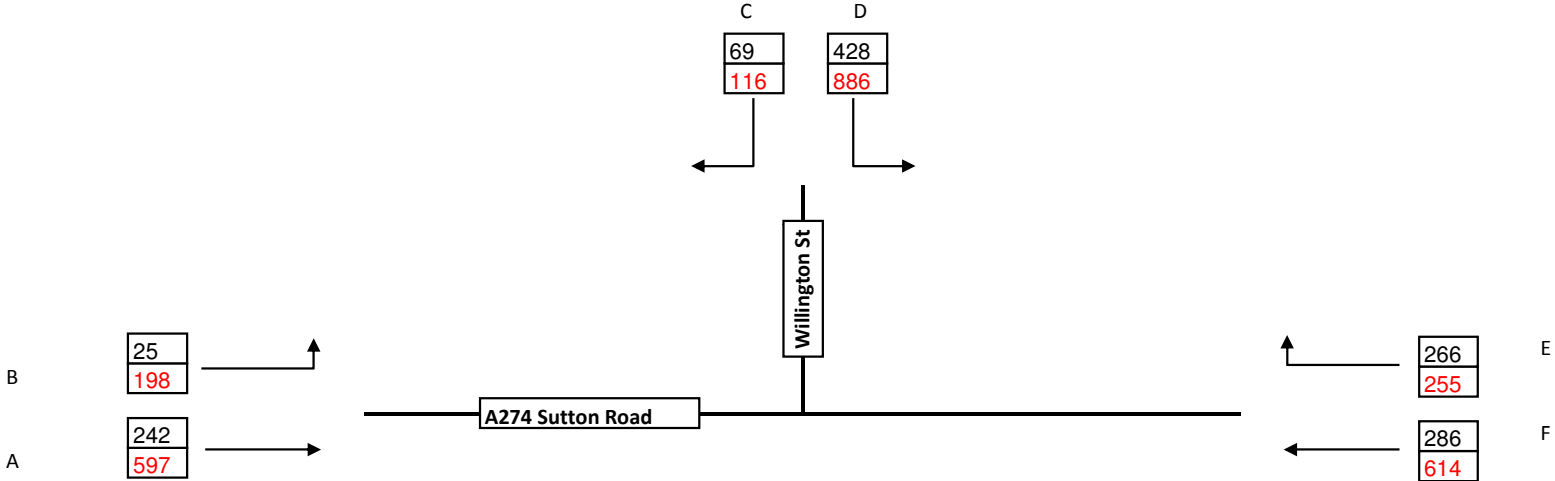
This junction is at the edge of the detailed modelled area

A, B - 2026 DoMin - Traffic increases as a result of Hermitage Lane Developments.

C, D - Low flows due to location of connectors for larger zones at the periphery of town.

Willington Street / Sutton Road - AM

571	Base
846	2026 Forecast



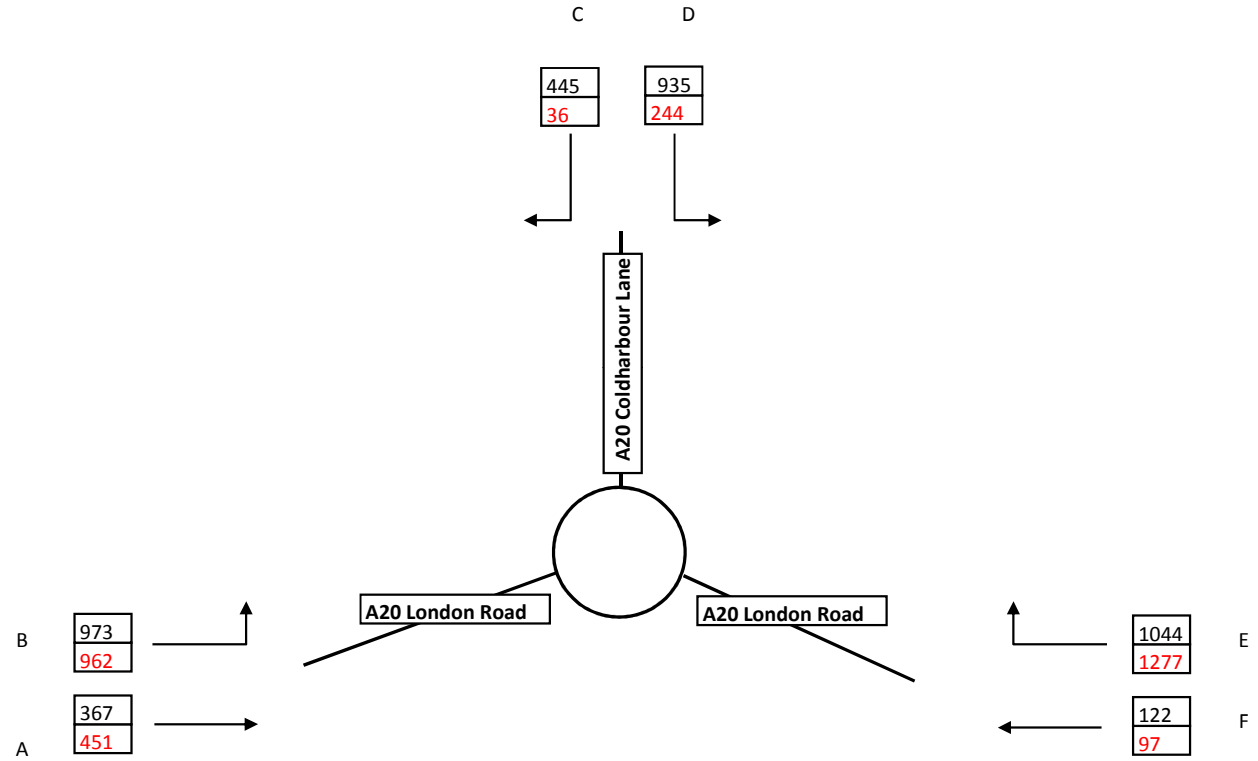
Notes

A, F - 2026 DoMin - Traffic increases as a result of series of developments along the areas and traffic re-routing from A20 Ashford Road.

C, D - 2026 DoMin - More traffic using J7 and Willington St to reach destinations around Sutton Road.

Coldharbour Roundabout - PM

571	Base
846	2026 Forecast

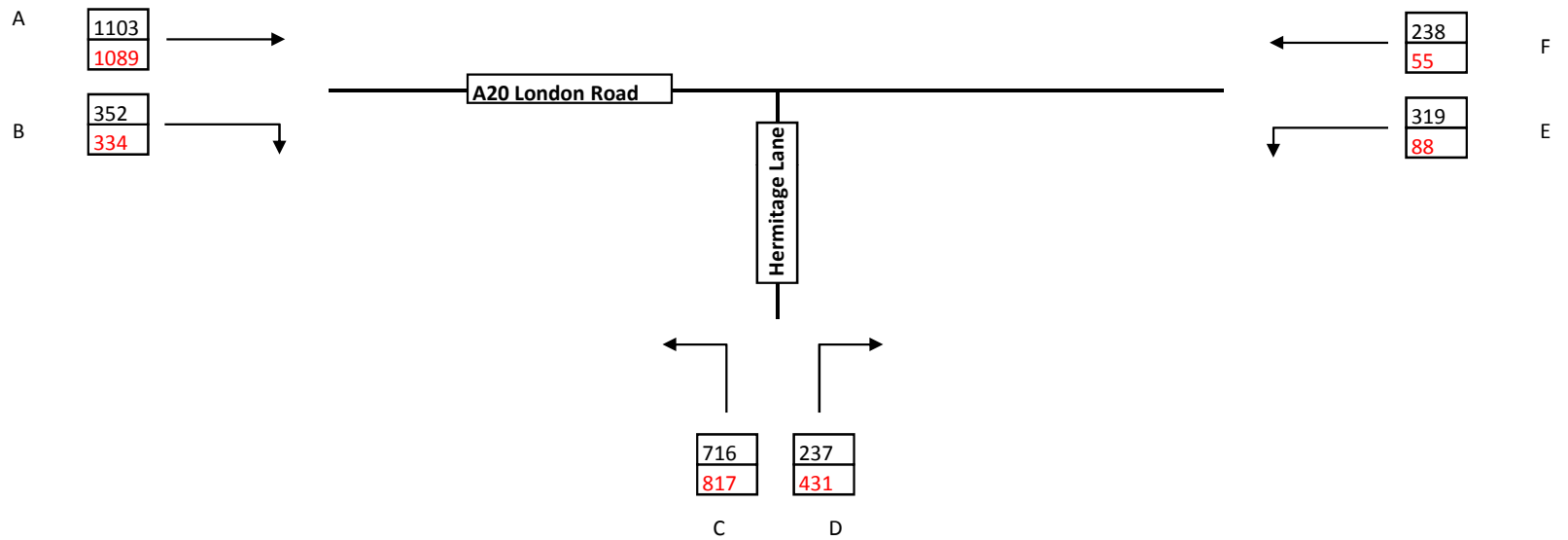


Notes

C, D - 2026 DoMin - Increased congestion at the signalised M20 J5.

Hermitage Lane / London Road - PM

571	Base
846	2026 Forecast

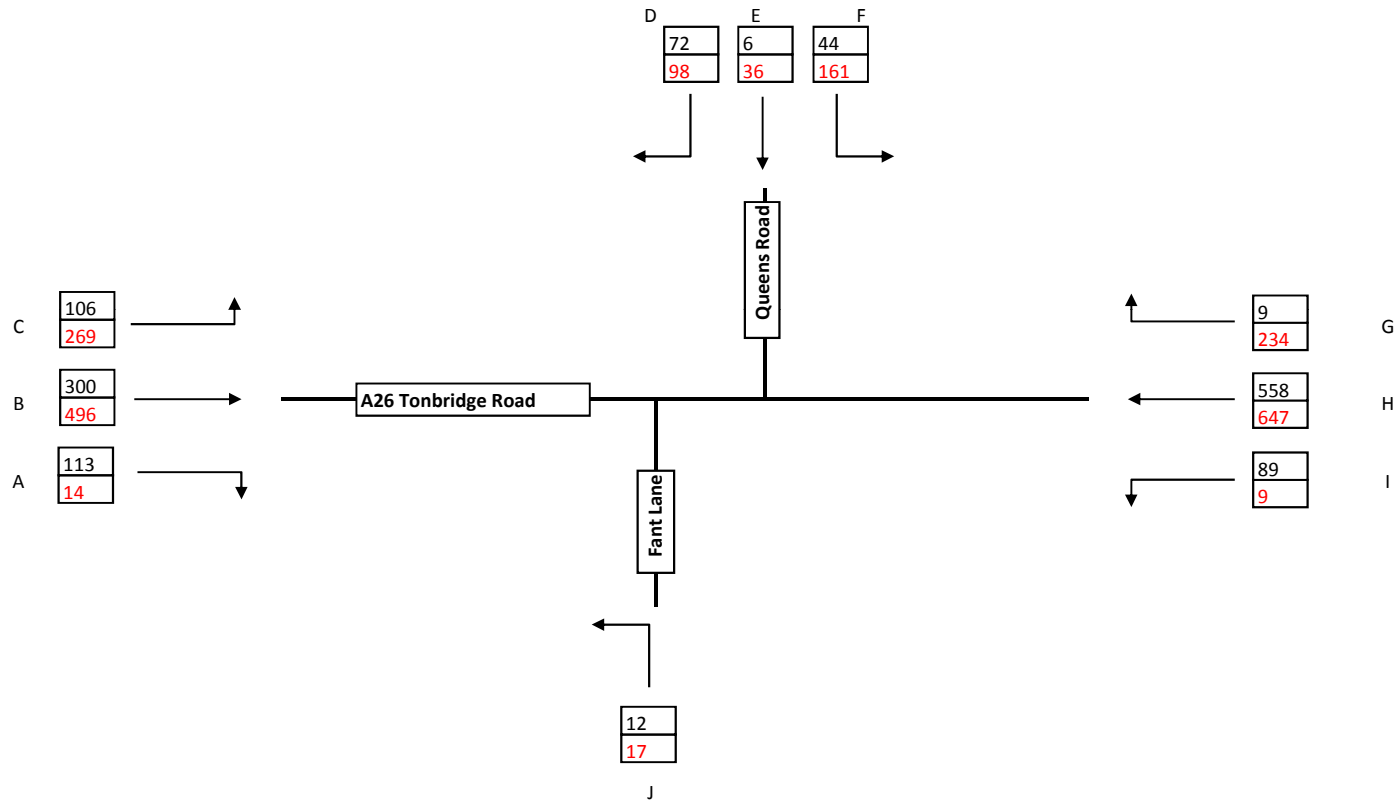


Notes

E, F - 2026 DoMin - Lower flows due to increased congestion at the signalised M20 J5.

Queens Road / Fant Lane / Tonbridge Road - PM

571	Base
846	2026 Forecast



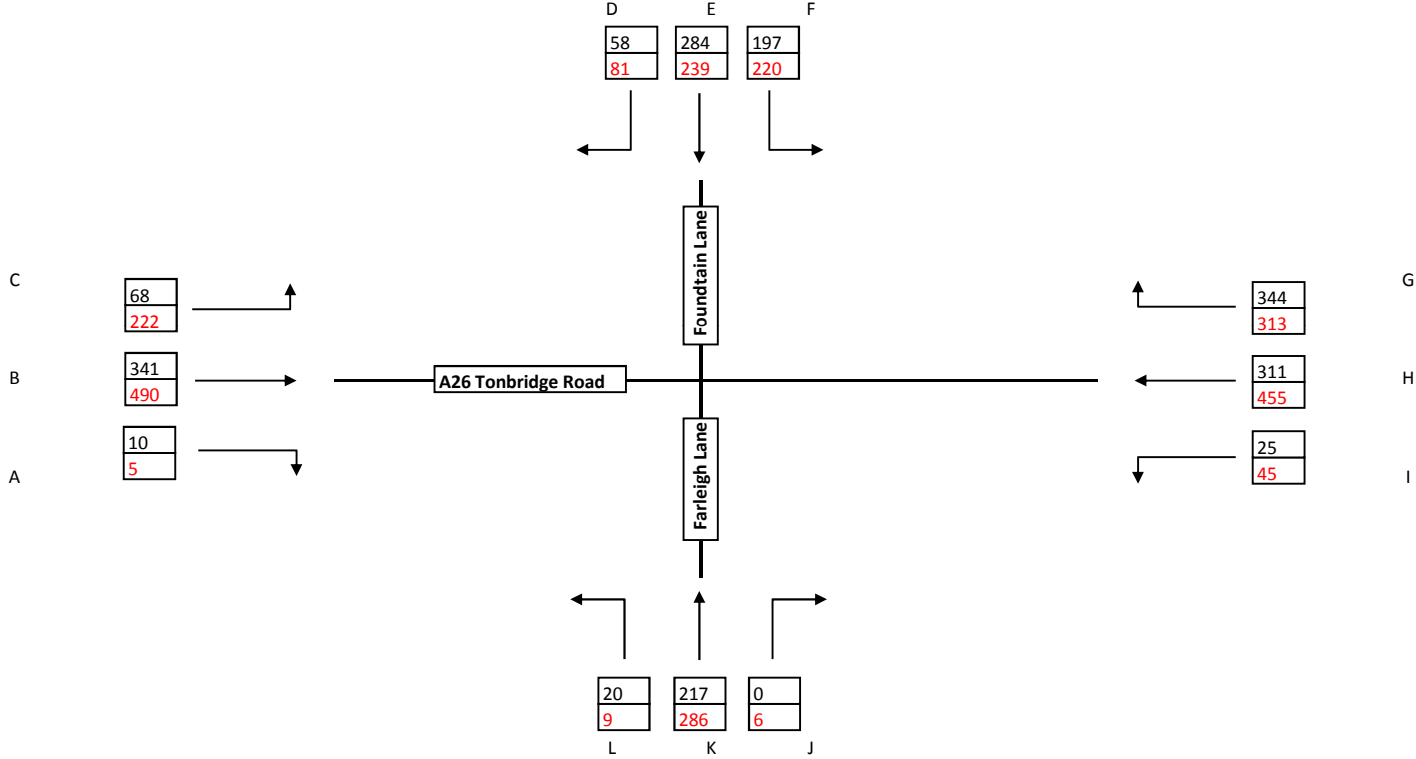
Notes

B, C - 2026 DoMin - Flows increase due to Hermitage Lane Developments.

D,E,F - 2026 DoMin - Flows increase due to developing congestion at A20 London Road.

Fountain Road / Farleigh Lane / Tonbridge Road - PM

571	Base
846	2026 Forecast

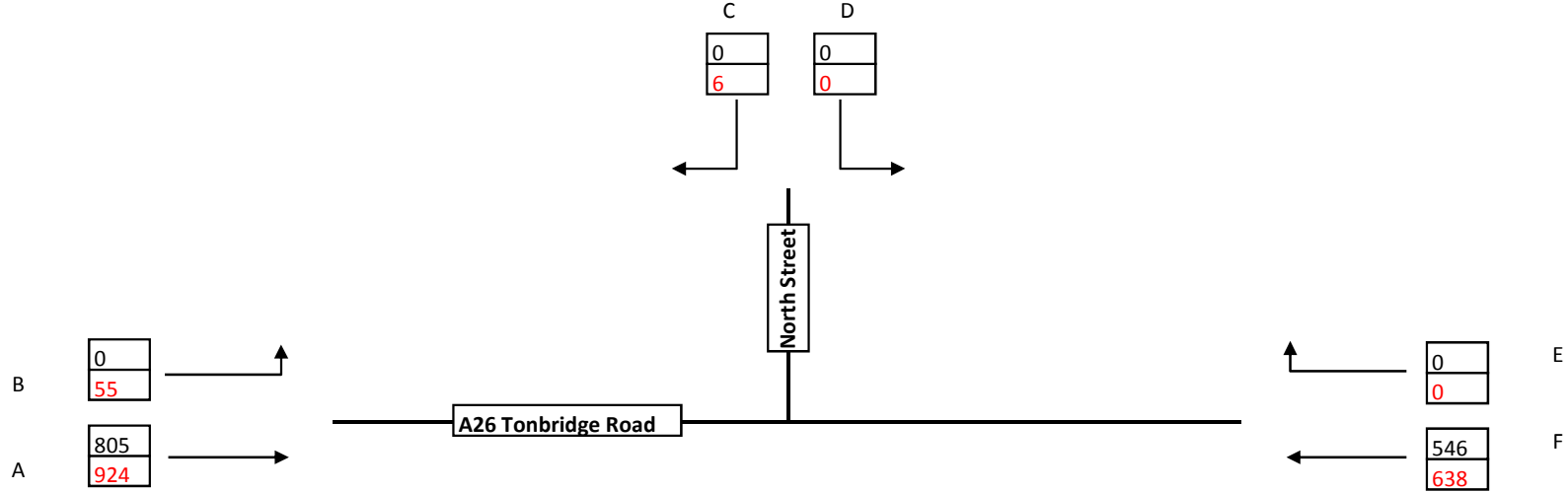


Notes

C - 2026 DoMin - More traffic turning into Foutain Lane due to Hermitage Lane developments.

North Street / Tonbridge Road - PM

571	Base
846	2026 Forecast

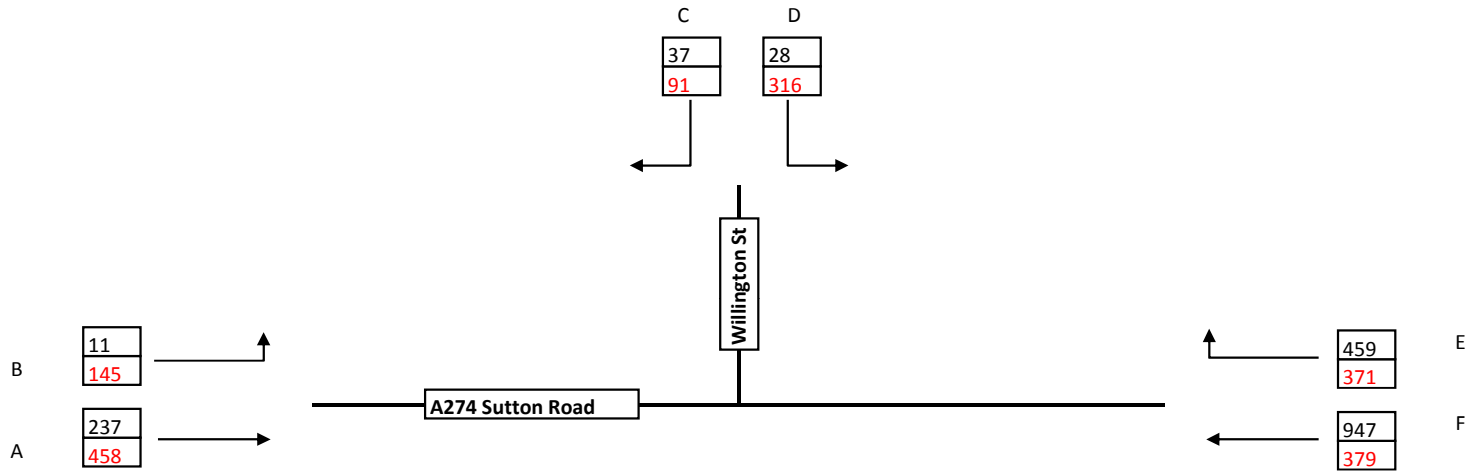


Notes

C, D - Low flows due to location of connectors for larger zones at the periphery of town.

Willington Street / Sutton Road - PM

571	Base
846	2026 Forecast



Notes

B - 2026 DoMin - Slightly more traffic using Willington St and Sutton Road for J8.

D - 2026 DoMin - More traffic using J7 and Willington St for Sutton Road destinations.

F - 2026 DoMin - More traffic avoids this movement due to the gyratory.